

1:5/1:7 Clock Buffer for Networking Applications

Product Features

- High Frequency >156 MHz
- High-speed, low-noise, non-inverting buffer
 - PI49FCT3802 is 1:5 buffer
 - PI49FCT3803 is 1:7 buffer
- Low-skew (<250ps) between any two output clocks
- Low duty cycle distortion <250ps
- Low propagation delay <2.5ns
- 5V Tolerant input
- Multiple V_{DD}, GND pins for noise reduction
- 3.3V supply voltage
- Packages Available:
 - TSSOP and QSOP

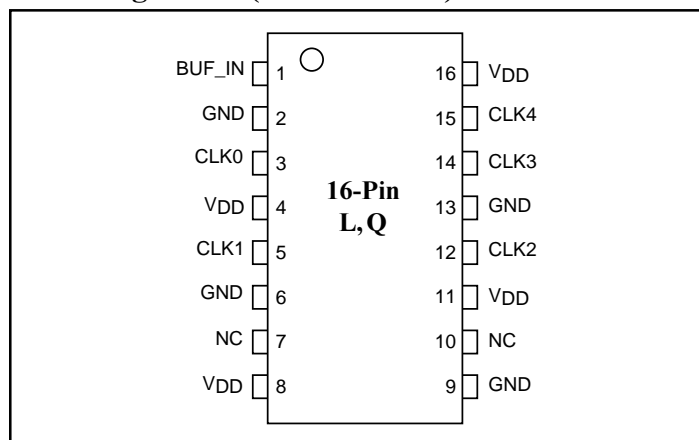
Description

The PI49FCT380x is a 3.3V compatible, high-speed, low-noise non-inverting clock buffer. The key goal in designing the PI6C380x is to target networking applications that require low-skew, low-jitter, and high-frequency clock distribution. Providing output-to-output skew as low as 250ps, the PI49FCT380x is an ideal clock distribution device for synchronous systems. Designing synchronous networking systems requires a tight level of skew from a large number of outputs.

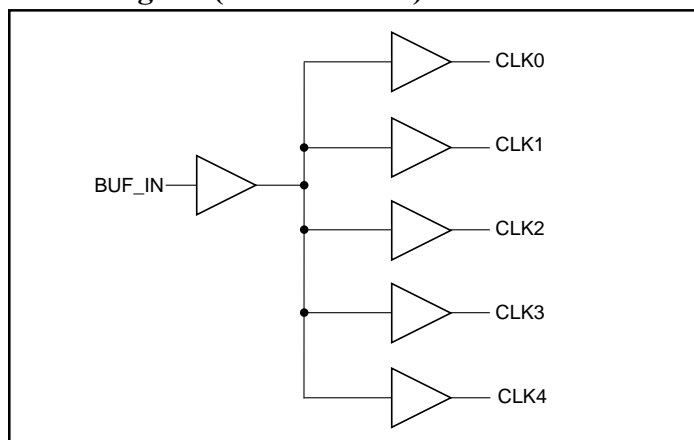
Product Pin Description

Pin Name		Description
PI49FCT3802	PI49FCT3803	
BUF_IN	BUF_IN	Input
CLK[0:4]	CLK[0:6]	Outputs
GND	GND	GND
V _{DD}	V _{DD}	Power

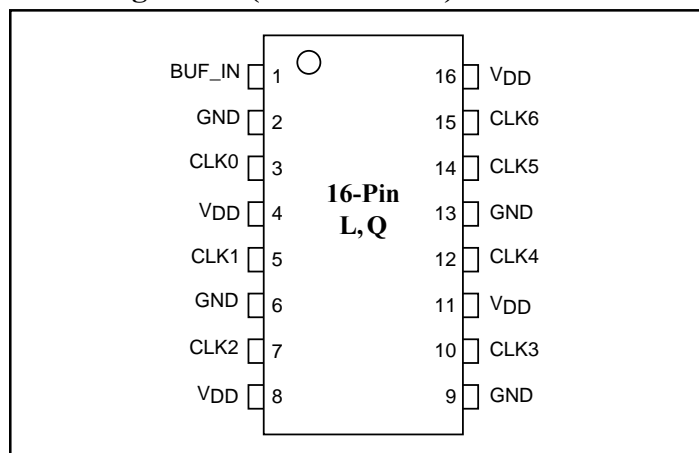
Pin Configuration (PI49FCT3802)



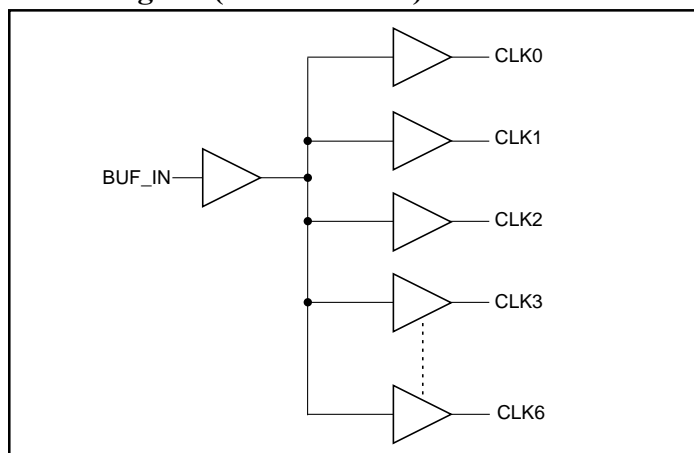
Block Diagram (PI49FCT3802)



Pin Configuration (PI49FCT3803)



Block Diagram (PI49FCT3803)



Maximum Ratings

(Above which the useful life may be impaired. For user guidelines, not tested.)

Storage Temperature	-65°C to +150°C
V _{DD} Voltage	-0.5V to 5.5V
Output Voltage	-0.5V to 5.5V
Input Voltage	-0.5V to 5.5V
DC Output Current	-60mA to +60mA
Power Dissipation	500mW

Note:

Stresses greater than those listed under MAXIMUM RATINGS may cause permanent damage to the device. This is a stress rating only and functional operation of the device at these or any other conditions above those indicated in the operational sections of this specification is not implied. Exposure to absolute maximum rating conditions for extended periods may affect reliability.

Operating Range

V _{DD} Voltage	3.3V ± 0.3V
Commercial Temperature	0°C to +70°C
Industrial Temperature	-40°C to +85°C
Input Frequency	DC to 156 MHz
Capacitive Loading	10pF to 50pF

DC Electrical Characteristics (Over the Operating Range)

Parameters	Description	Test Conditions ⁽¹⁾		Min.	Typ. ⁽²⁾	Max.	Units
V _{IH}	Input HIGH Voltage	Guaranteed Logic HIGH Level (Input Pins)		2.0	—	5.5	V
V _{IL}	Input LOW Voltage	Guaranteed Logic LOW Level (Input Pins)		-0.5	—	0.8	
I _{IH}	Input HIGH Current	V _{DD} = Max.	V _{IN} = V _{DD}	—	—	1	μA
I _{IL}	Input LOW Current	V _{DD} = Max.	V _{IN} = GND	—	—	-1	
V _{IK}	Clamp Diode Voltage	V _{DD} = Min., I _{IN} = -18mA		—	-0.7	-1.2	V
V _{OH}	Output HIGH Voltage	V _{DD} = Min., V _{IN} = V _{IH} or V _{IL}	I _{OH} = -0.1mA	V _{DD} - 0.2	—	—	
			I _{OH} = -12mA	2.4 ⁽³⁾	3.0	—	
V _{OL}	Output LOW Voltage	V _{DD} = Min., V _{IN} = V _{IH} or V _{IL}	I _{OL} = 0.1mA	—	—	0.2	
			I _{OL} = 12mA	—	0.3	0.5	
I _{OH}	Output HIGH Current	V _{DD} = 3.0V, V _{IN} = V _{IH} or V _{IL} , V _{OUT} = 1.5V ⁽⁴⁾		-45	-75	-180	mA
I _{OL}	Output LOW Current	V _{DD} = 3.0V, V _{IN} = V _{IH} or V _{IL} , V _{OUT} = 1.5V ⁽⁴⁾		50	92	200	

Notes:

1. For Max. or Min. conditions, use appropriate value specified under Electrical Characteristics for the applicable device type.
2. Typical values are at V_{DD} = 3.3V, +25°C ambient and maximum loading.
3. V_{OH} = V_{DD} - 0.6V at rated current.
4. This parameter is determined by device characterization but is not production tested.
5. Not more than one output should be shorted at one time. Duration of the test should not exceed one second.

Power Supply Characteristics

Parameters	Description	Test Conditions ⁽¹⁾		Min.	Typ. ⁽²⁾	Max.	Units
I _{DDQ}	Quiescent Power Supply Current	V _{DD} = Max.	V _{IN} = GND or V _{DD}	—	0.1	30	μA
ΔI _{DD}	Supply Current per Inputs @ TTL HIGH	V _{DD} = Max.	V _{IN} = V _{DD} - 0.6V ⁽³⁾	—	47	300	
I _{DD}	Dynamic Supply Current	V _{DD} = 3.6V, No Load	50 MHz	—	43	—	mA
			67 MHz	—	56	—	
			80 MHz	—	66	—	
			100 MHz	—	81	—	
			125 MHz	—	97	—	
			156 MHz	—	121	—	

Notes:

- For Max. or Min. conditions, use appropriate value specified under Electrical Characteristics for the applicable device.
- Typical values are at V_{DD} = 3.3V, +25°C ambient.
- Per TTL driven input (V_{IN} = V_{DD} - 0.6V); all other inputs at V_{DD} or GND.

Capacitance (T_A = 25°C, f = 1 MHz)

Parameters ⁽¹⁾	Description	Test Conditions	Typ	Max.	Units
C _{IN}	Input Capacitance	V _{IN} = 0V	3.0	4	pF
C _{OUT}	Output Capacitance	V _{OUT} = 0V	—	6	

Note:

- This parameter is determined by device characterization but is not production tested.

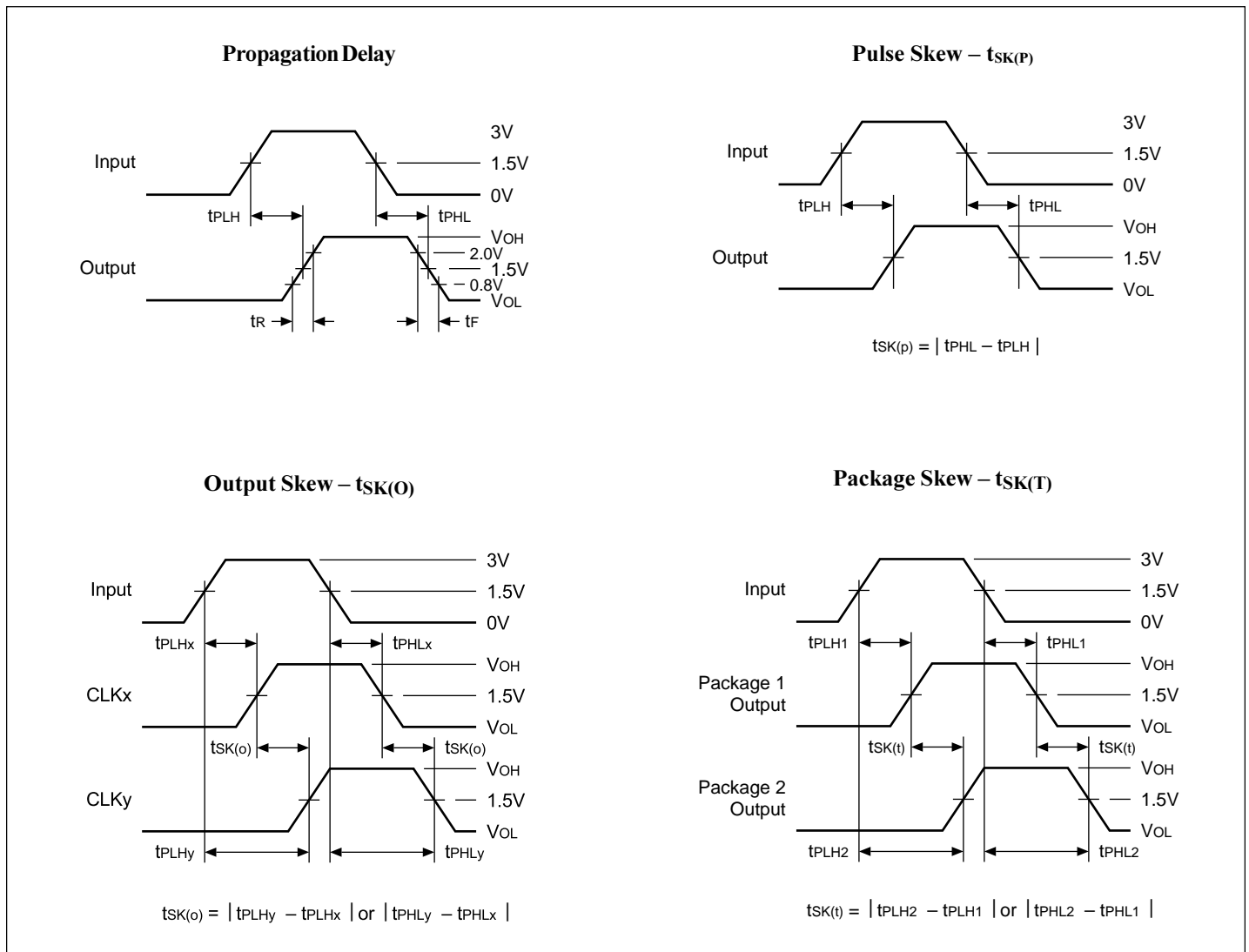
Switching Characteristics (V_{DD} = 3.3V ± 0.3V, T_A = 85°C)

Parameters	Description	Test Conditions ⁽¹⁾	Min.	Typ.	Max.	Units
t _R /t _F	CLK _n Rise/Fall Time 0.8V~2.0V	C _L = 15pF, 125 MHz	—	0.7	1.0	ns
t _{PLH} t _{PHL}	Propagation Delay BUF_IN to CLK _n	C _L = 15pF, 125 MHz	1.0	2.2	2.5	
t _{SK(o)} ⁽³⁾	Skew between two outputs of the same package (same transition)	C _L = 15pF, 125 MHz	—	110	250	ps
t _{SK(p)} ⁽³⁾	Skew between opposite transitions (t _{PHL} -t _{PLH}) of the same output	C _L = 15pF, 125 MHz	—	200	250	
t _{SK(i)} ⁽³⁾	Skew between two outputs of different package ⁽⁴⁾	C _L = 15pF, 125 MHz	—	—	0.55	

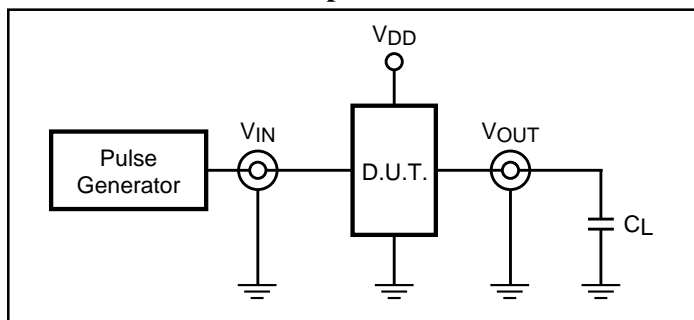
Notes:

- See test circuit and waveforms.
- Minimum limits are guaranteed but not tested on Propagation Delays.
- Skew measured at worse cast temperature (max. temp).
- Identical conditions: loading, transitions, supply voltage, temperature, package type and speed grade.

Switching Waveforms



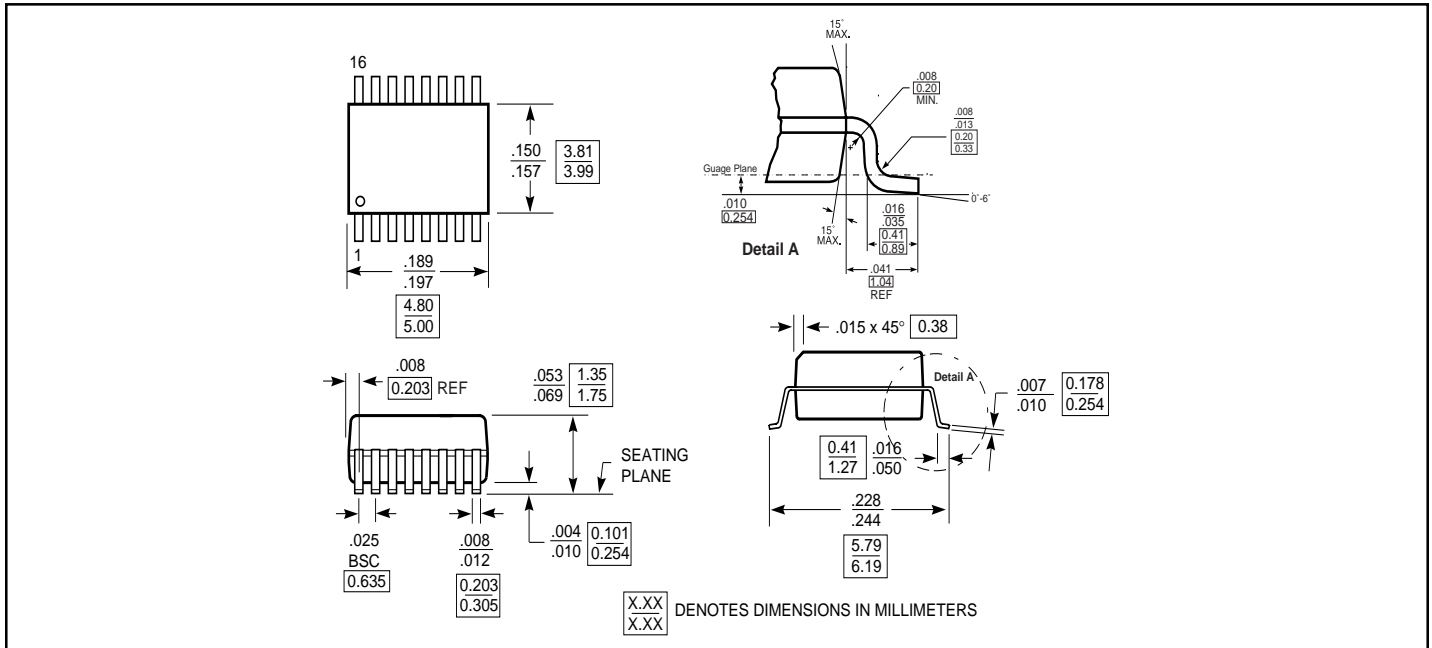
Test Circuits for All Outputs



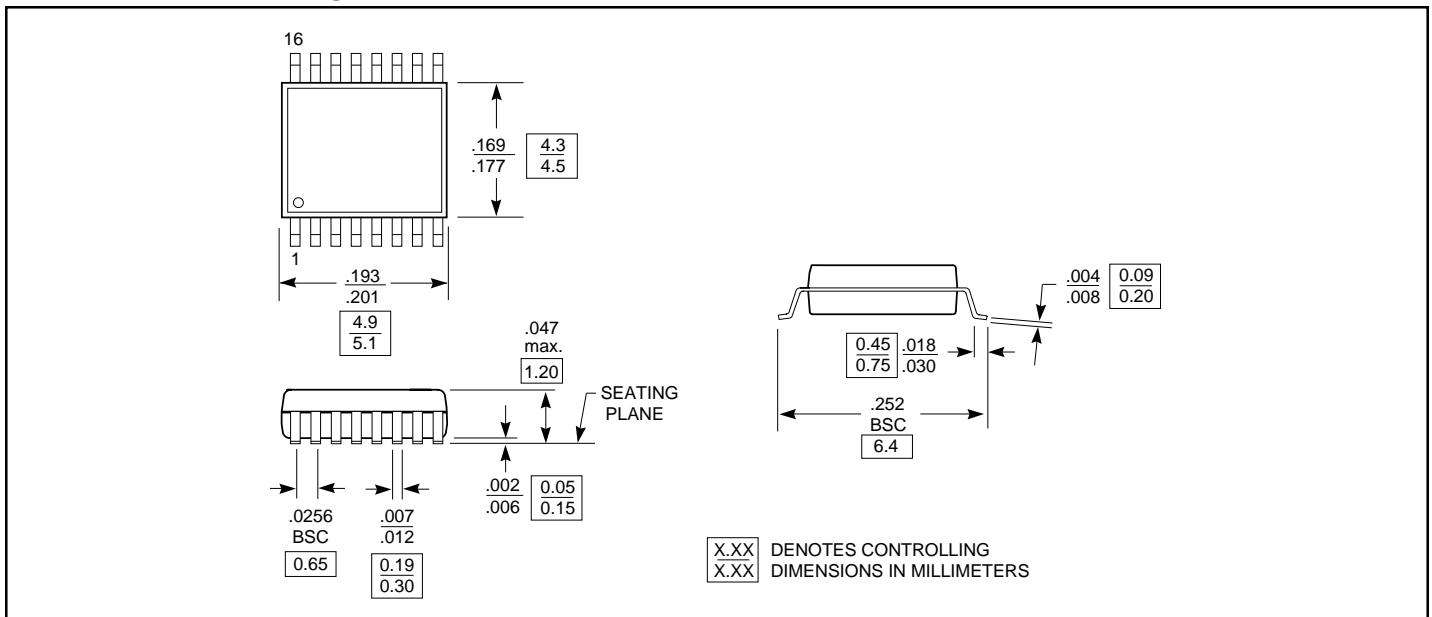
Definitions:

C_L = Load capacitance: includes jig and probe capacitance.
 R_T = Termination resistance, should be equal to Z_{out} of the Pulse Generator.

16-Pin QSOP (Q) Package



16-Pin TSSOP (L) Package



Ordering Information

Ordering Code	Package Type
PI49FCT3802Q	16-pin 150 mil wide QSOP
PI49FCT3802L	16-pin 173 mil wide TSSOP
PI49FCT3803Q	16-pin 150 mil wide QSOP
PI49FCT3803L	16-pin 173 mil wide TSSOP

Pericom Semiconductor Corporation

2380 Bering Drive • San Jose, CA 95131 • 1-800-435-2336 • Fax (408) 435-1100 • <http://www.pericom.com>